

wienet AP-ETH-A Wireless LAN Access Point 24 V DC

Description

By now, WLAN networks are everywhere. This trend has also found its way into the industrial applications the new Access Point **wienet** AP-ETH-A was expressly designed for.

Features

- WLAN Access Point in industrial design
- WLAN standard IEEE 802.11b/g/n
- Ethernet 10/100BaseT
- Operating voltage 24 V DC
- Protection class IP20
- 35 mm DIN-rail mounting per EN60715



Technical data

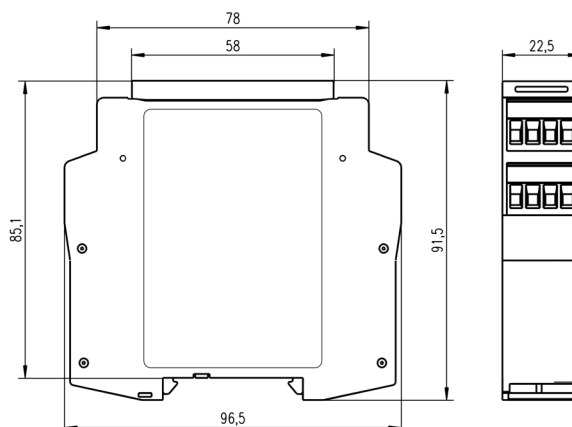
Operating voltage connection	
Nominal voltage	24 V DC (Voltage range: 9 ... 28 V DC)
Output (24 V DC) approx.	1 W
Connection type	Pluggable screw terminals
Connector cross-section	Fine-/single-strand 2 x 0.14 -0.75mm ² / 1 x 0.14 - 2.5 mm ² or fine-strand with end ferrules
WLAN	
Wireless LAN standard	IEEE 802.11n/g/b
Frequency	2.4 ... 2.4835 GHz
Data rate	Max. 150 Mbit/s
Safety	WEP, WPA, WPA2 PSK + EAP
Antenna	Integrated or external via RP-SMA socket
Ethernet (LAN)	
Connection type	RJ-45 socket
Medium	Twisted pair 10/100BaseT
Environmental conditions	
Operating temperature range	-5 °C ... +55 °C
Storage temperature range	-20 °C ... +60 °C
Rel. humidity	5 ... 93 %
Condensation	Not permitted
Housing, mounting	
Housing material	Plastic, colour: black
Dimensions (W x H x D)	22.5 x 96.5 x 91.5 mm
Weight approx.	95 g
Protection type	IP 20
Mount to	35 mm DIN rail (top hat rail) per EN60715
Operation and display elements	
Button RES	< 3 sec. restart 5-30 sec. restart with factory settings
Green LED	Status display, on = o.k. / flashing = AP is starting
Yellow LED	Ethernet status, data traffic



Headquarters:
 Wieland Electric GmbH
 Brennerstraße 10 – 14
 96052 Bamberg, Germany

Phone +49 951 9324-0
 Fax +49 951 9324-198
 info@wieland-electric.com
 www.wieland-electric.de

Dimensions:



Industrial technology

Solutions for the control cabinet

- DIN rail terminal blocks
 - Screw, tension spring or push-in connection technology
 - Wire cross sections up to 300 mm²
 - Numerous special functions
 - Software solutions interfacing to CAE systems
- Safety
 - Safe signal acquisition
 - Safety switching devices
 - Modular safety modules
 - Compact safety controllers
 - Application consulting and training
- Network engineering and fieldbus systems
 - Remote maintenance via VPN industrial router and VPN service portal
 - Industrial Ethernet switches
 - PLC and I/O systems, standard and increased environmental conditions
- Interface
 - Power supply units
 - Overvoltage protection
 - Coupling relays, semiconductor switches
 - Timer relays, measuring and monitoring relays
 - Analog coupling and converter modules
 - Passive interfaces

Solutions for field applications

- Decentralized installation and automation technology
 - Electrical installation for wind tower
 - Fieldbus interfaces and motor starters
- Connectors for industrial applications
 - Rectangular and round connectors
 - Aluminum or plastic housings
 - Degree of protection up to IP69K
 - Current-carrying capacity up to 100A
 - Connectors for hazardous areas
 - Modular, application-specific technology

PC board terminals and connectors

- Screw or spring clamp connection technology
- Spacings: 3.5mm to 10.16mm
- Reflow or wave soldering process

Building and installation technology

- Building installation systems
 - Main power supply connectors IP20/ IP65 ... IP69K
 - Bus connectors
 - Low-voltage connectors
 - Power distribution system with flat cables
 - Distribution systems
 - Room automation with KNX, EnOcean, SMI and DALI
 - DIN rail terminal blocks for electrical installations
 - Overvoltage protection

Easy to set into operation

Connect the Access Point to the 24 V DC power supply. Establish the Ethernet connection between your PC and the Access Point.

Access to the Access Point web surface

The default IP address of the Access Point is 192.168.1.1

The default password is: root

To ensure that a network connection can be established, your PC must be in the same network.

This is how to manually set the IP address of the network adapter of your PC:

Select the following settings:

IP address 192.168.1.2 - 192.168.1.254.

Network mask: 255.255.255.0

Description	Part No.
wienet AP ETH-A (Antenna integrated)	83.040.0050.0
wienet AP ETH-A-A (Antenna external via RP-SMA socket)	83.040.0051.0
Zubehör:	
WLAN-Antenna with magnetic holder	F0.000.0037.4
Standards:	
EN55024 09-2011, EN61000-6-2 03-2006, EN55022 12-2011, EN300328 V 1.8.1 02-2012, EN301489-1 V1.9.2 09-2011	